

HM Wire International, Inc.

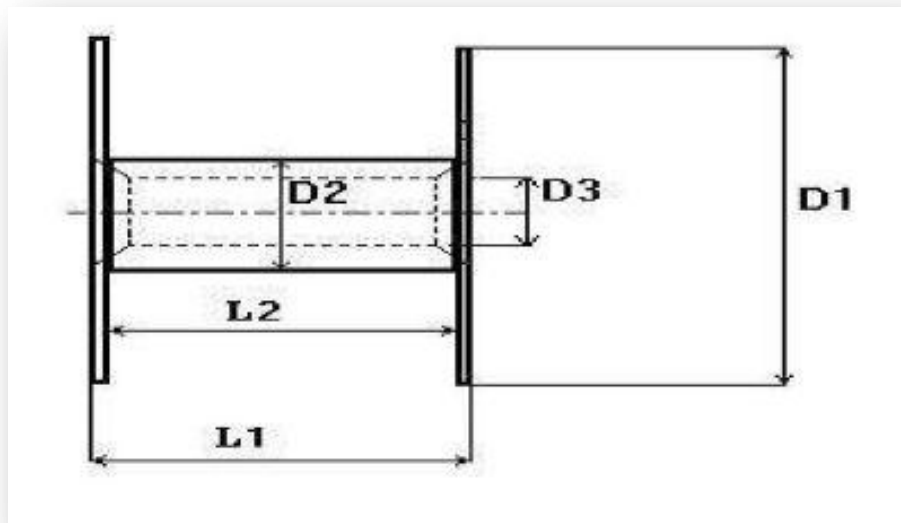
Ph: 330-244-8501 Fax: 330-244-8561

www.litz-wire.com info@litz-wire.com www.hmwire.com

Spool Configurations - Euro

Returnable Wooden Reels & Drums

HMWIRE CODE	Type	D1 mm	D2 mm	L1 mm	L2 mm	D3 mm	Tare kg
00058	BM 600	600	380	210	150	42	15
00060	D 710	710	500	240	180	42	20
00062	TS 710	710	380	240	180	42	20
00065	TS 750	750	400	260	200	42	23
00066	BM 750	750	400	380	320	42	26
00068	BM 900	900	400	380	320	42	28
00071	S 1000	1000	750	500	440	42	34
00072	SP 1000	1000	750	240	180	42	34
00070	BM 1000	1000	500	600	500	42	65
00073	BM 1100	1100	500	600	500	42	75
00076	BM 1400	1400	800	680	570	42	90

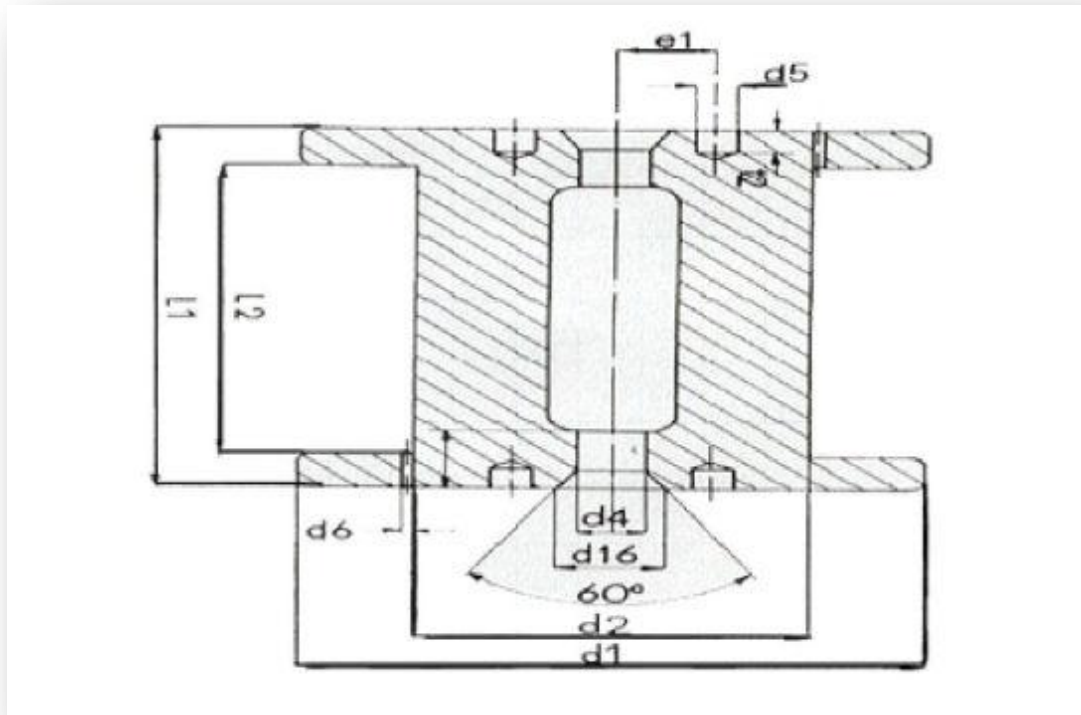


Non-Returnable Spools, Reels & Drums

HMWIRE CODE	Type	Material	D1 mm	D2 mm	L1 mm	L2 mm	D3 mm	Capacity kg	Tare kg
00093	DIN 200	Plastic	200	125	200	160	22-36	7	0.60
00092	DIN 250		250	160	200	160	36	12	1.05
00091	DIN 355		355	224	200	160	36	24	1.80
00035	SE 470	Wooden	470	320	195	170	41	65	4.00
00037	CBE 500		500	200	245	190	51	130	5.50
00034	CBE 600		600	200	245	190	51	210	7.50
00033	SE 600		600	350	240	200	41	155	15.00
00041	CTSE 710		710	350	240	180	41	280	12.00
00043	CTSE 750		750	350	260	200	41	350	15.00
00052	CBME 750		750	350	380	320	41	450	15.00
00053	CBME 1000		1000	520	575	500	41-81	1000	15.00
00055	CBME 1000N		1000	520	325	250	41-81	500	35.00
00054	CBME 1150		1150	520	505	430	41-81	1000	35.00
00048	CBME 1150S		1150	640	575	500	41-81	1000	35.00
00047	CBME 1150SN		1150	640	325	250	41-81	500	35.00
00046	CMBE 1400		1400	800	690	570	83	2000	120.00
00057	TT 760	Sheet Iron	760	400	350	300	80-127	500	32.00

Spool Configuration in mm

Type	K50	K63	K80	K100	K125	K160	K200	K250	K355
d1	50	63	80	100	125	160	200	250	355
d2	32	40	50	63	80	100	125	160	224
d4	11	11	16	16	16	22	22	22	36
d16	15	15	24	24	24	34	34	34	60
d5			7	7	7	13	13	13	26
d6	1,5	2	2	2	3	3	3	4	5
e1				20	20	32	32	32	80
L1	50	63	80	100	125	160	200	200	200
L2	38	49	64	80	100	128	160	160	160
t1 min	16	18	20	22	25	28	32	36	40
Weight in g	22	40	70	125	200	350	600	1050	1850



Standard Pallet Information

Package Type	Packages			Pallets	
	Approx. Net. LB. Each Package	No. of reels or spools per carton	Approx. Net LB. each carton	No. of Packs, Reels or Carton Per Pallet	Approx. Net. LB. per Pallet
T1000	950			4	3800
T500	550			5	2750
T250	250			5	1250
24x6	250			8	200
24x11	400			6	2400
T100	80	1	80	12	960
T100 Pall	80			12	960
12x7	80			18	1440
T500	40	1	40	18	720
6x6	16	4	64	24 cartons	1536
6x3½	9	6	54	24 cartons	1296

Individual Packaging Information

Package	Approx. Net. Lbs. Film Covered	Lbs. Tare Weight	Inside Traverse Width	Overall Dimensions		Arbor Hole Diam. Hole	Barrel Diameter
				Height	Diameter		
T1000	950	16.9	30"	32 ⁵ / ₁₆ "	16½" Top 19½" Bottom	1 ¹⁷ / ₃₂ "	8" Top 9¼" Bottom
T500	550	13.2	24"	26 ³ / ₈ "	15" Top 16" Bottom	1 ¹⁷ / ₃₂ "	8" Top 9" Bottom
T250	250	8.6	12"	14 ³ / ₈ "	15" Top 16" Bottom	1 ¹⁷ / ₃₂ "	8" Top 9" Bottom
24x6		18	6"	8 ³ / ₄ "	24" Top 24" Bottom	1 ¹⁷ / ₃₂ "	14" Top 14" Bottom
24x11	400	35.0	11"	13"	24" Top 24" Bottom	1 ¹⁷ / ₃₂ "	14" Top 14" Bottom
T100	80	2.6	12"	13 ¹ / ₄ "	10" Top 11" Bottom	1 ¹⁷ / ₃₂ "	6" Top 7" Bottom
T100 Pall	80	3.5	13 ³ / ₄ "	14"	12" Top 13 ³ / ₈ " Bottom		
12x7	80	5.4	7"	8 ¹ / ₄ "	11 ³ / ₄ " Top 6 ⁹ / ₁₆ " Bottom	1 ¹⁷ / ₃₂ "	7" Top 7" Bottom
T50	40	1.6	9"	10"	8½" Top 9¼" Bottom	1 ¹⁷ / ₃₂ "	5¾" Top 6½" Bottom
6x6	16	.67	6"	6½"	6" Top 6" Bottom	5/8"	3¾" Top 3¾" Bottom
6x3½	9	.50	3½"	4"	6" Top 6" Bottom	5/8"	3½" Top 3½" Bottom

Spool Size	Units	Size of carton for spools
K 125	6	41.0cm x 30.0cm x 14.5cm = height
K 250	1	25.5cm x 25.5cm x 21.0cm = height
K 200	2	41.0cm x 21.0cm x 21.0cm = height
K 160	4	33.5cm x 34.0cm x 18.5cm = height
K 355	1	36.0cm x 36.0cm x 22.0cm = height
K 125	9	40.0cm x 40.0cm x 14.5cm = height

*Pallet Size = Europe type 80cm x 120cm

* Height of full pallet of product could be as high as 80cm to 100cm high